

ACM 132

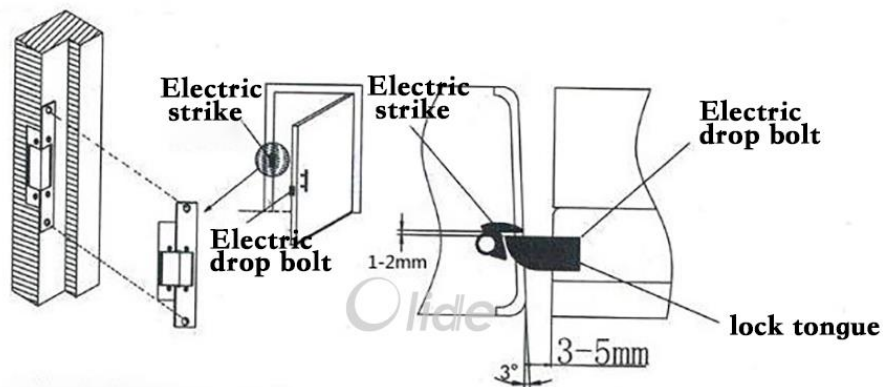
Alpha Electric Strike Lock



Specification

- Dual 12/24 VDC
- Reversible Fail-Safe/Fail-Secure
- 800 lbs (363 kg)
- European Mortise
- Business Stainless Steel (US32D)
- Zinc alloy

Application



- Notes:**
1. Reserve 1-2mm gap between electric strike and lock tongue for normal opening.
 2. Reserve 3-5mm gap between electric strike and pannel for smooth closing.